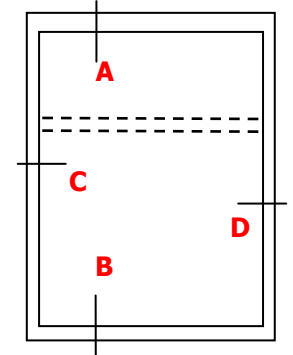
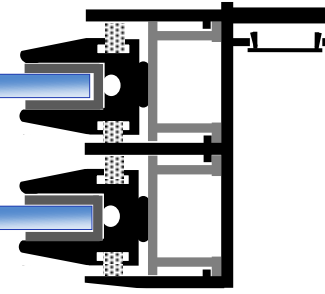
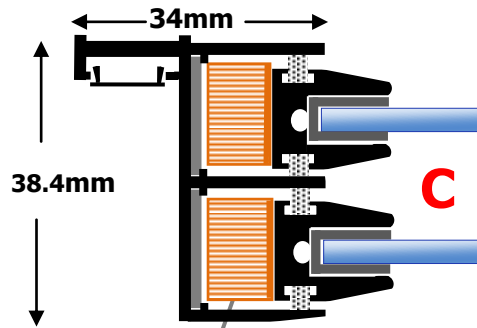
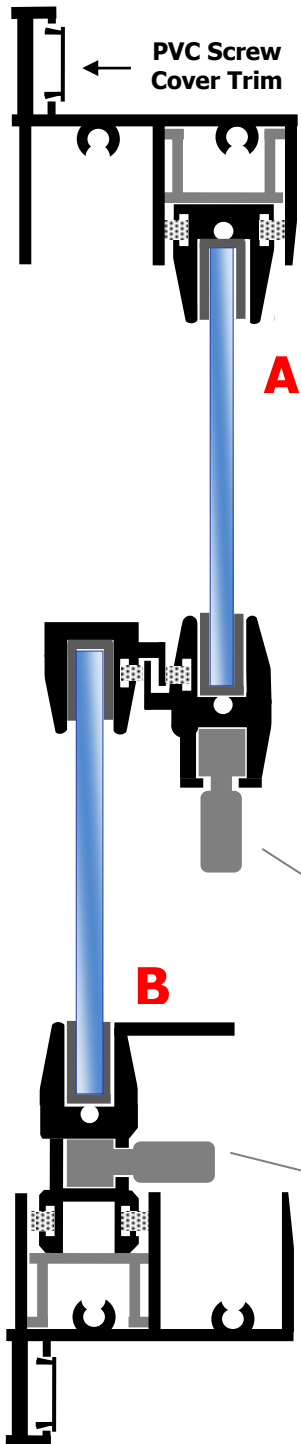


Secondary Glazing Friction Vertical Sliders

Outerframe 707/708 - Odd Leg - Face Fix



Typical Elevation

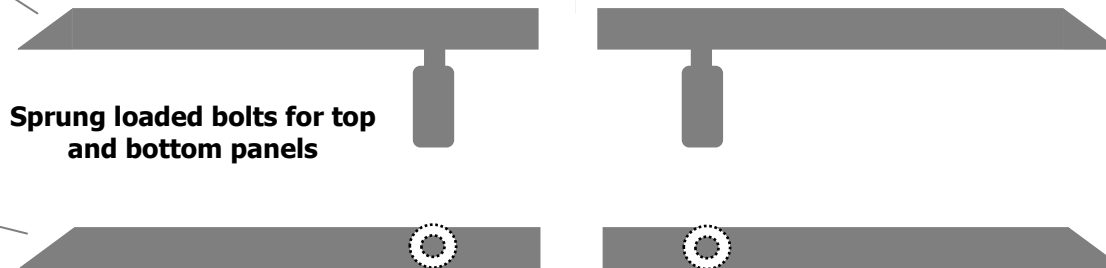


Four leaf springs fitted on left hand side allow panels to be removed

To operate friction sliders the user pulls the two sprung loaded bolts located each side in towards the centre. When the window nears its desired opening the bolts should be released and the bolts will locate in pre-punched holes in the outer frame plastics. **The whole weight of the panel is in the user's hands when opening and closing the window, therefore the overall window size is restricted to dimensions shown below.**

800 Wide x 900 High 3.6Kgs per panel

A maximum thickness of 4mm glass only



Glazing available in 4mm

Do not scale 1 to 1